

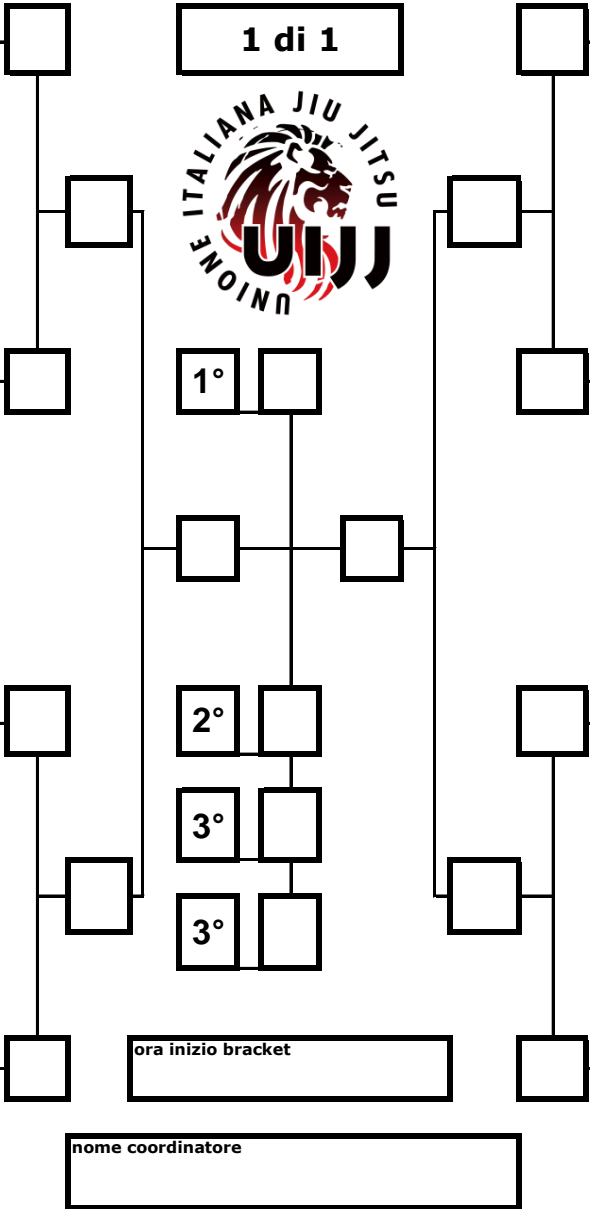
**RIMINI JJ
OPEN 2019**

Maschio Bianca Adult- **LEGGERO** 76.00 kg 5 min 10 Fighters

GI

| | calls | 1 | 2 | 3 | dq | doc | peso |
|----------|---|---|---|---|----|-----|------|
| 1 | Andrea Conti - Core grappling Lab | | | | | | |
| 2 | Filippo Vallarella - Tribe jiu jitsu Italia | | | | | | |
| 3 | | | | | | | |
| 4 | Daniele Santisi - Juan Neves BJJ | | | | | | |
| 5 | Filippo Lhalou - Rio Grappling Club | | | | | | |
| 6 | | | | | | | |
| 7 | | | | | | | |
| 8 | Davide Toninelli - Fn Fight.Co Europa | | | | | | |

MBA-LEGGERO



| | calls | 1 | 2 | 3 | dq | doc | peso |
|-----------|---|---|---|---|----|-----|------|
| 9 | Hakim Graini - Edmar Jacobina Rey Diogo Italia Brazilian jiu-jitsu | | | | | | |
| 10 | Filippo Martinini - Tribe jiu jitsu Italia | | | | | | |
| 11 | | | | | | | |
| 12 | Gian Filippo Gulisano - mad fighter | | | | | | |
| 13 | Nico Colapinto - Tribe jiu jitsu Italia | | | | | | |
| 14 | | | | | | | |
| 15 | | | | | | | |
| 16 | Alex Zerbetto - gustavo freire bij | | | | | | |