

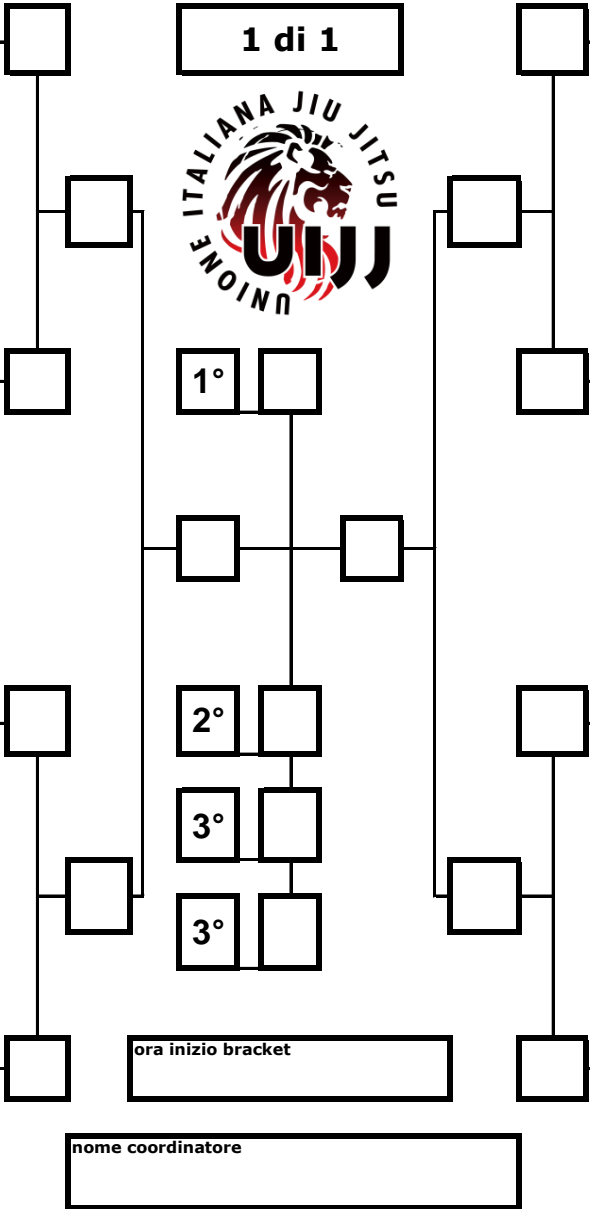
**RIMINI JJ
OPEN 2019**

Femmina Azzura Adult- **LEGGERO** 64.00 kg 6 min 4 Fighters

GI

| | calls | 1 | 2 | 3 | dq | doc | peso |
|----------|---------------------------------------------|---|---|---|----|-----|------|
| 1 | Angela Marraghini - Arahna jiu jitsu Arezzo | | | | | | |
| 2 | | | | | | | |
| 3 | | | | | | | |
| 4 | | | | | | | |
| 5 | | | | | | | |
| 6 | | | | | | | |
| 7 | | | | | | | |
| 8 | Mariana Loghin - Rilion Gracie Italia | | | | | | |

FAA-LEGGERO



| | calls | 1 | 2 | 3 | dq | doc | peso |
|-----------|------------------------------------------------|---|---|---|----|-----|------|
| 9 | Viviana Alessio - Brenta sharks / Caimani team | | | | | | |
| 10 | | | | | | | |
| 11 | | | | | | | |
| 12 | | | | | | | |
| 13 | | | | | | | |
| 14 | | | | | | | |
| 15 | | | | | | | |
| 16 | Marina Pradetto - Rilion Gracie Italia | | | | | | |